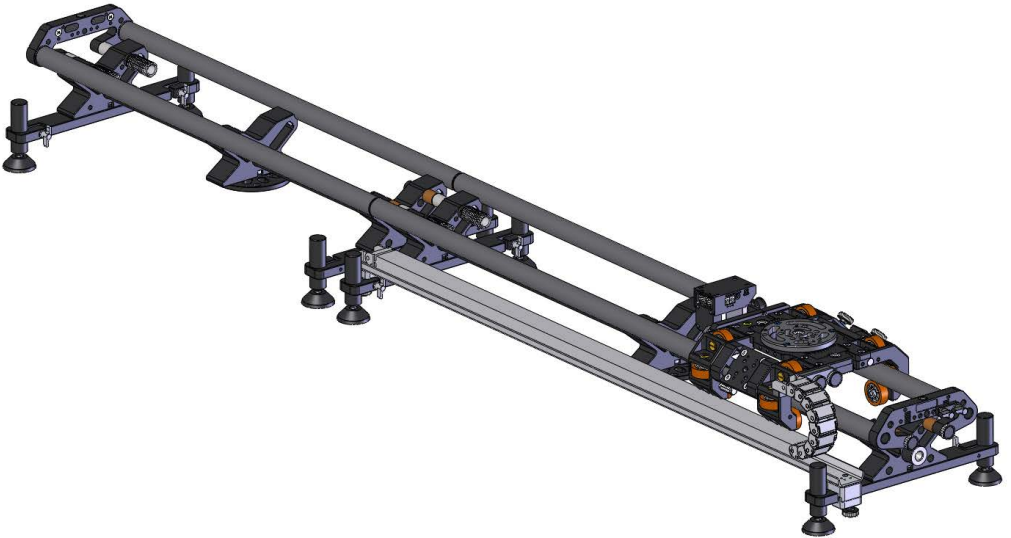


SLIDEKAMERA

NEXT LEVEL OF FILMMAKING



ATLAS™ MODULAR CABLE GUIDE

User Manual

pdf version of the manual available for download: www.slidekamera.com



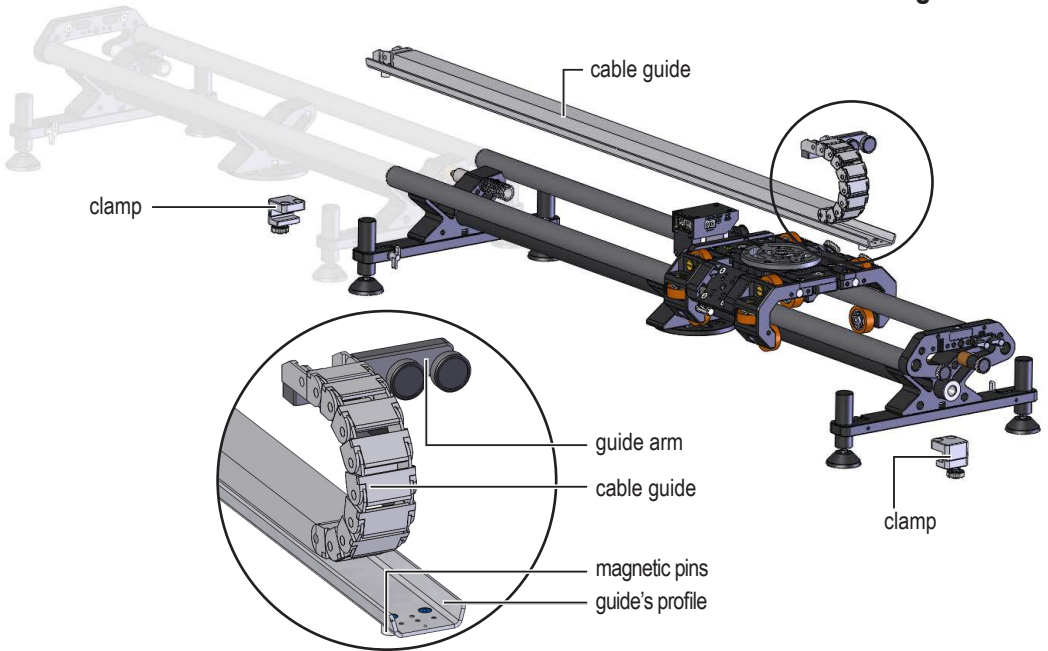
TIP

On the margins you will find information, which complement the contents of the manual. They are not essential for the correct operation of the device, but you might find them useful.

Before you start your work with the **ATLAS MODULAR** cable guide we strongly recommend to read the manual carefully.

Please note that using the cable guide in a manner inconsistent with the instructions, any unauthorized repair attempts or any kind of modification of the device can cause a damage the manufacturer is not responsible for.

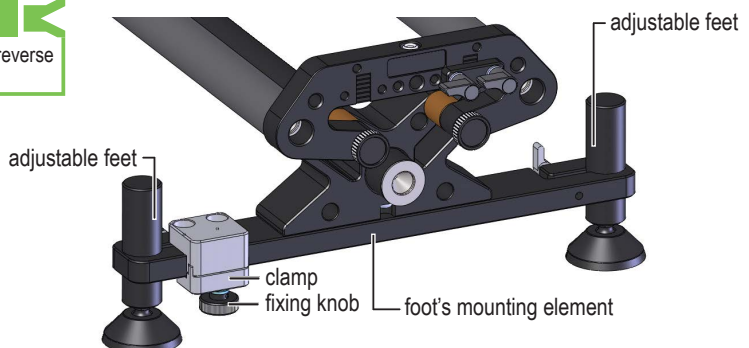
1. Construction of the ATLAS MODULAR cable guide



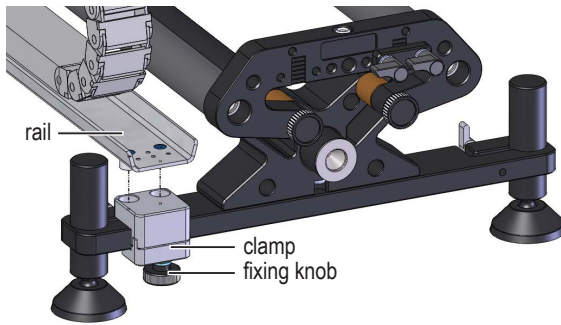
2. Mounting the ATLAS MODULAR cable guide

TIP

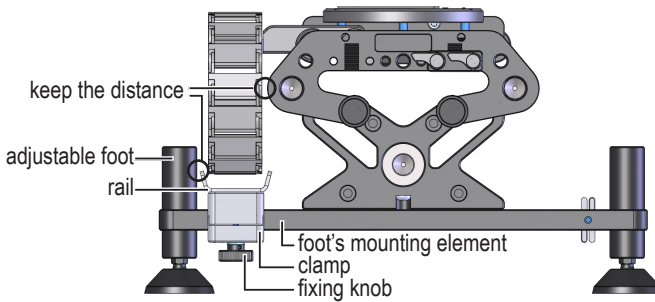
Disassembly takes place in reverse sequence.



Put both clamps on the foot's mounting elements. Do not tighten fixing knobs.



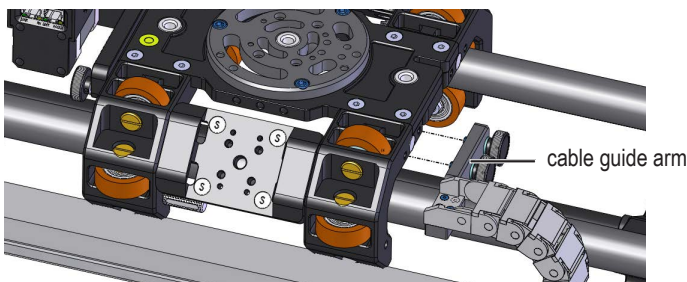
Put the rail on the clamps. The rail is equipped with magnetic pins, which are positioning the rail on the clamps. Pins should snap into the holes in the clamps.



Tighten fixing knobs on the clamps. Take care to keep the distance between the rail and the slider. Cable guide cannot touch any parts of the slider during operation.

Keep slight distance between adjustable feet and guide's profile - this way you won't limit their movement and you won't damage them during adjustment.

TIP
 You can use small object (such as coin) to put it between adjustable feet and the guide's rail. This way you can set the rail in the same distance to the feet on both ends of the slider.



Attach cable guide arm to the M6 holes on the slider's trolley.

Connect electric cables: plug the data cable (RJ45) to the IN socket on the slider's motor, power cable plug to the motor's DC socket.

If you're using **BULLHEAD** remote head, by using a short data cable (RJ45) connect head's IN port with the OUT port on the slider's motor. Connect power cable to the DC port on the remote head. You can use an adapter to split one power cable, that is located in the cable guide, and use it to power both the slider and the head.

3. Terms of warranty

All Slidekamera products are covered by the manufacturer's warranty for a period of 12 months from the date of sale. Warranty covers production faults and material defects, which resulted in the product malfunctioning. Warranty covers the repair, or, if the repair proves impossible, replacement of the product with a new one. However, the cost of repair of the product cannot overrun the catalogue value of the product. The warranty does not cover damage and / or product defects resulting from the improper usage, as well as not following product maintenance specifications.

The warranty excludes:

- unauthorized attempts to repair or modify
- mechanical damage caused during transport and operation of such features as scratches, dents, pits, dirt, etc.
- flooding, moisture

To obtain warranty service the purchaser should deliver the damaged product together with a proof of purchase or proof of payment (invoice, cash register receipt). The product will be accepted for warranty service on condition, that it is delivered with correctly filled in complaint form and properly protected during transport.

The complaint form is available for download at: www.slidekamera.com.

After the warranty period is exceeded any spare parts can be purchased directly from the manufacturer or in any selected points of sale.

PLEASE NOTE:

Any package sent at the expense of HET-CNC s.c., 80-175 Gdańsk, ul. Kartuska 386 will not be received.

Slidekamera®
High Engineering Technology CNC s.c.
Sebastian Pawelec Karol Mikulski
Głina 45
82-522 Sadlinki
VAT Identification Number:
581-188-33-32

Slidekamera Office
80-175 Gdańsk (Poland)
ul. Kartuska 386
tel./fax (+48) 58 710 41 04
e-mail: biuro@slidekamera.com
www.slidekamera.com